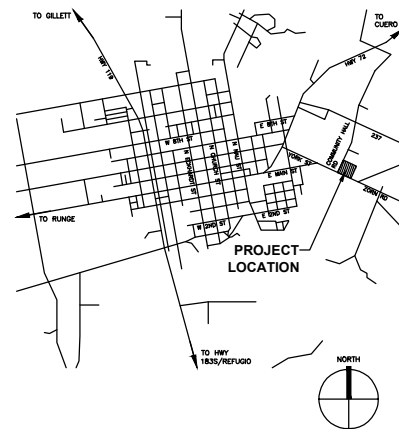
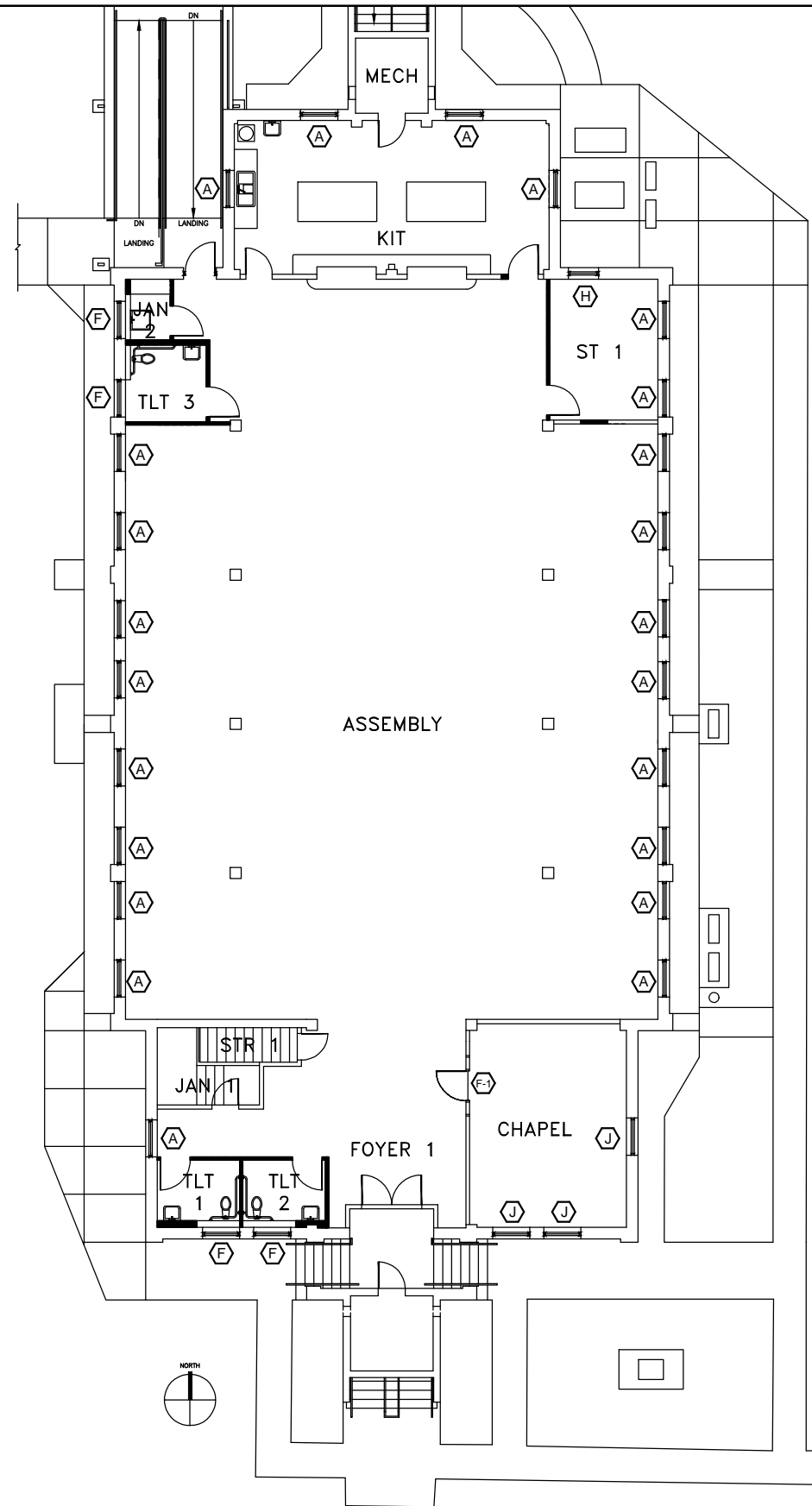


ELEVATION TYPE AND QUANTITY OF WINDOWS

- A - 23
- B - 9
- C - 6
- D - 2
- E - 2
- F - 4
- G - 2
- H - 1
- J - 3
- K - 2



LOCATION MAP
 YORKTOWN, TX
 NTS



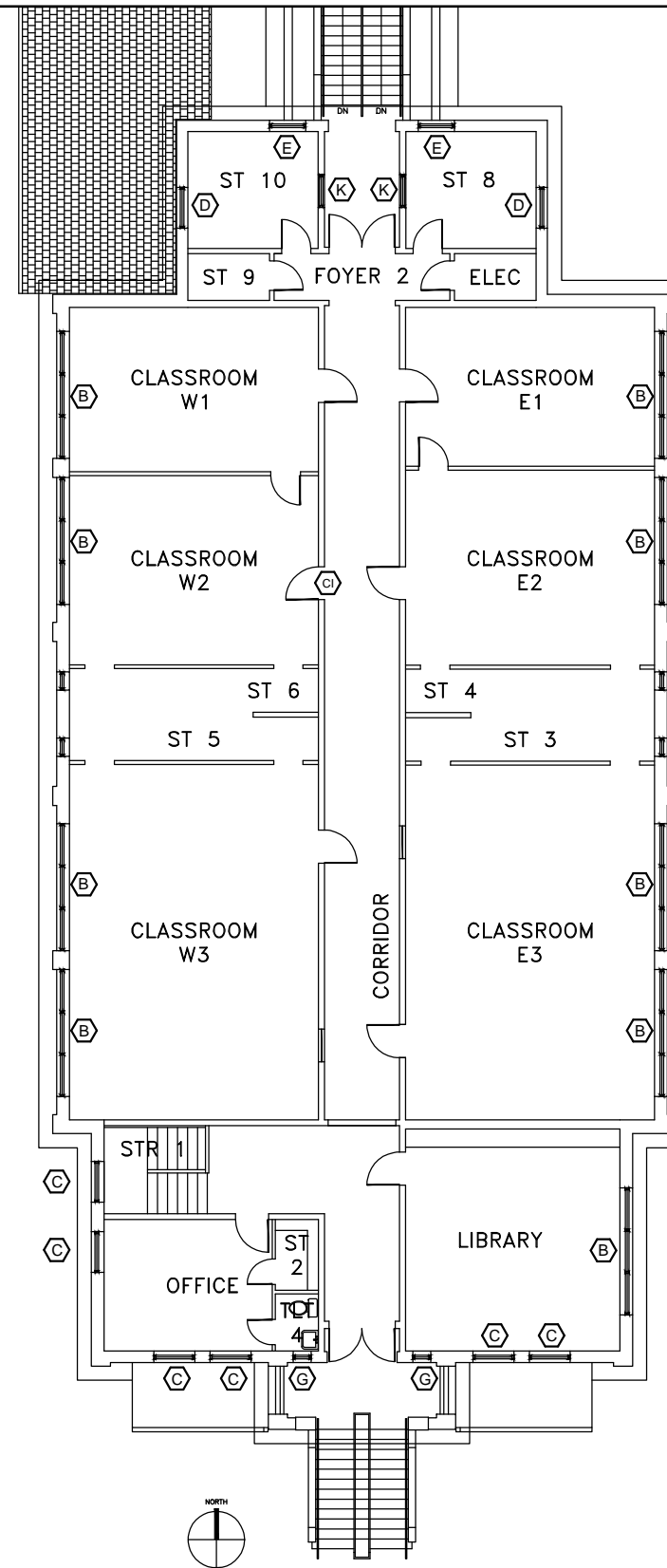
FLOOR PLAN

SCALE: NTS
 ARCH. REF.: A2.0
 A2.1

1ST

FIRST FLOOR PLAN

Aluminum Storefront & Curtain Wall System



FLOOR PLAN

SCALE: NTS
 ARCH. REF.: A2.2

2ND

SECOND FLOOR PLAN

Aluminum Storefront & Curtain Wall System

MITCHELL GLASS CO.
 405 W. CONSTITUTION VICTORIA, TX 77902
 W (361) 573-4337 F (361) 573-1797

PROJECT: HOLY CROSS CATHOLIC CHURCH
ACTIVITY CENTER RENOVATIONS
 ARCHITECT: CUTRIGHT & ALLEN, INC.
 (979) 868-8888
 GENERAL CONTRACTOR: ROTH CONSTRUCTION, INC.
 361-578-1271

PROJECT NO.	MG-1807-03
DRAWN BY	fp
DATE	08/06/18
SCALE	NTS
DRAWING	FLOOR PLANS
SHEET	P1

DATE	DESCRIPTION
08/06/18	First Submittal
1	fp
	SUB BY



4 NEW WEST ELEVATION



3 NEW SOUTH ELEVATION

ELEVATION

SCALE: NTS
 ARCH. REF.: A3.0
 A2.0
 A2.2



EXTERIOR ELEVATIONS

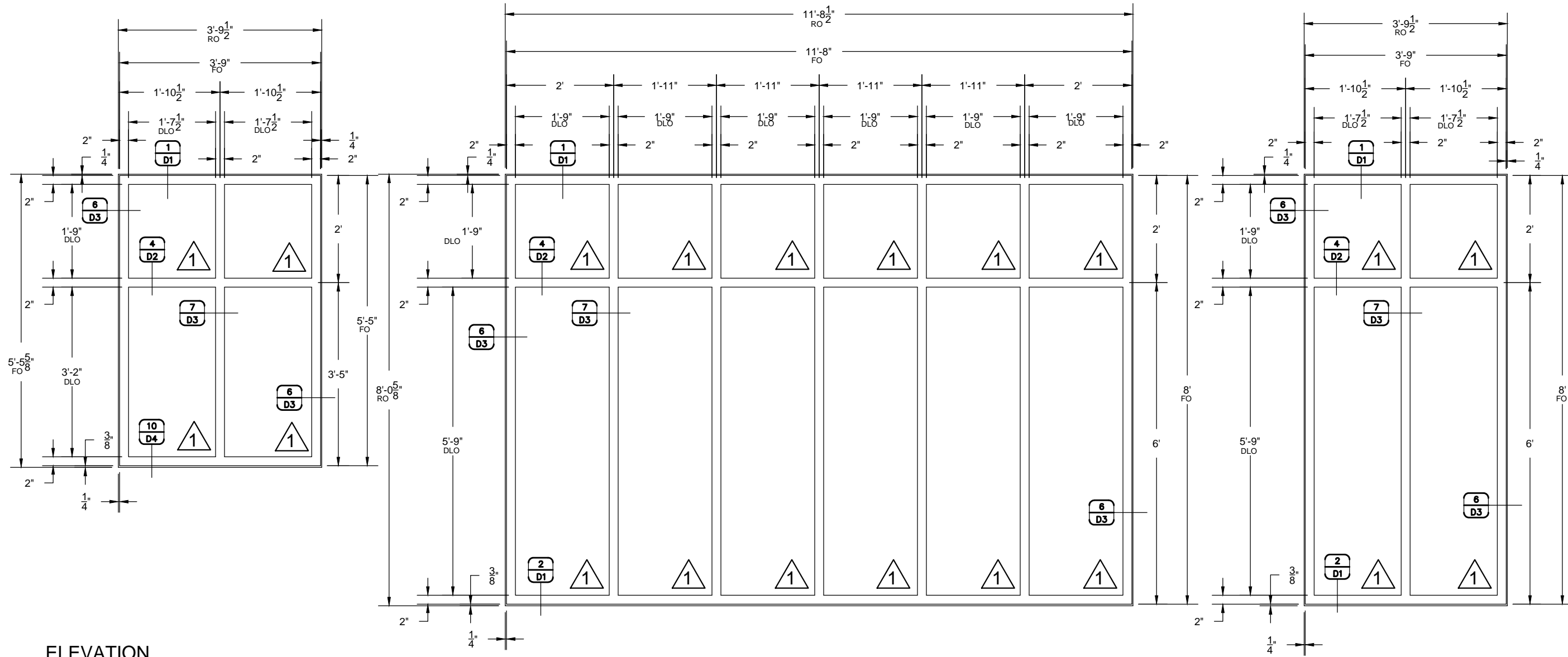
WEST and SOUTH ELEVATIONS
 SYSTEM (s): KAWNEER VG 451 FRAMING SYSTEM
 CUSTOMIZED KAWNEER VG 450 FRAMING SYSTEM

NO.	DATE	DESCRIPTION
1	08/06/18	First Submittal
fp		

MITCHELL GLASS CO.
 405 W. CONSTITUTION VICTORIA, TX 77902
 W (361) 573-4337 F (361) 573-1797

PROJECT: HOLY CROSS CATHOLIC CHURCH
ACTIVITY CENTER RENOVATIONS
 ARCHITECT: CUTRIGHT & ALLEN, INC.
 (979) 866-8888
 GENERAL CONTRACTOR: ROTH CONSTRUCTION, INC.
 361-578-1271

PROJECT NO.	MG-1807-03
DRAWN BY	fp
DATE	08/06/18
SCALE	NTS
DRAWING	ELEVATIONS
SHEET	E1



ELEVATION



SCALE: 1/2" = 1'-0"
 QUANTITY: 23
 ARCH. REF.: A2.0
 A3.0
 DOOR #(s): N/A
 SYSTEM (s): KAWNEER VG 451 FRAMING

ELEVATION



SCALE: 1/2" = 1'-0"
 QUANTITY: 9
 ARCH. REF.: A2.2
 A3.0
 DOOR #(s): N/A
 SYSTEM (s): KAWNEER VG 451 FRAMING

ELEVATION



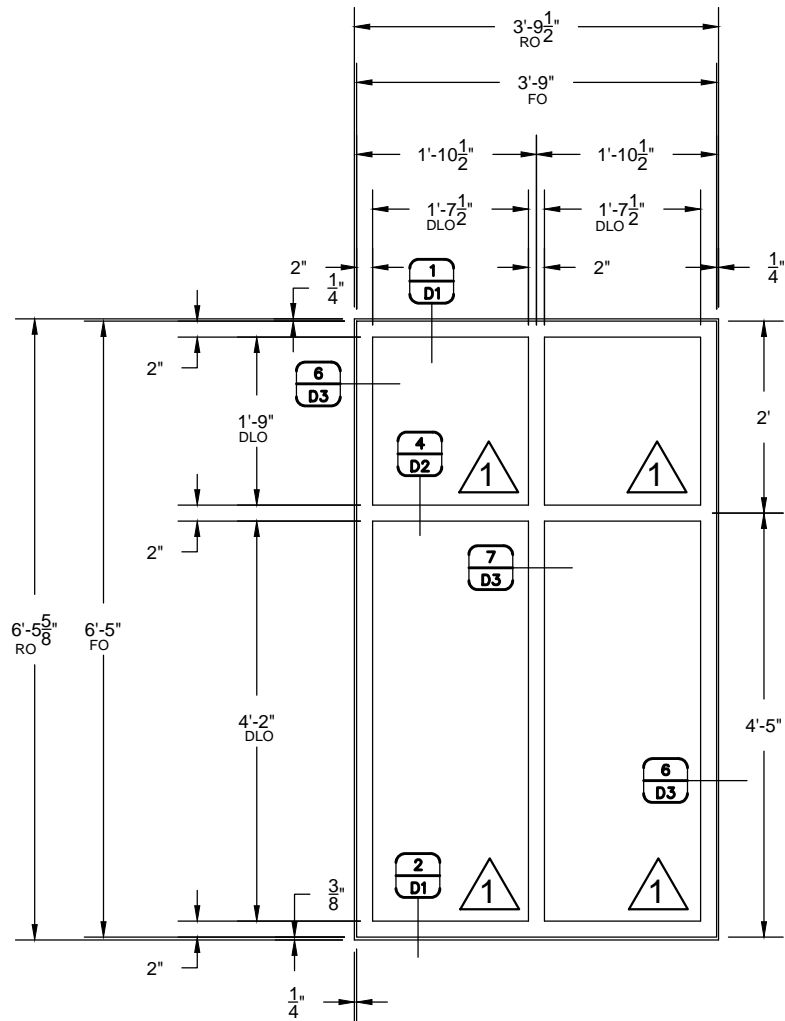
SCALE: 1/2" = 1'-0"
 QUANTITY: 6
 ARCH. REF.: A2.2
 A3.0
 DOOR #(s): N/A
 SYSTEM (s): KAWNEER VG 451 FRAMING

NO.	DATE	BY	DESCRIPTION
1	08/06/18	fp	First Submittal

MITCHELL GLASS CO.
 405 W. CONSTITUTION VICTORIA, TX 77902
 W (361) 573-4337 F (361) 573-1797

PROJECT: HOLY CROSS CATHOLIC CHURCH
ACTIVITY CENTER RENOVATIONS
 ARCHITECT: CUTRIGHT & ALLEN, INC.
 (979) 868-8888
 GENERAL CONTRACTOR: ROTH CONSTRUCTION, INC.
 361-578-1271

PROJECT NO.	MG-1807-03
DRAWN BY	fp
DATE	08/06/18
SCALE	1/2" = 1'-0"
DRAWING	ELEVATIONS
SHEET	E3

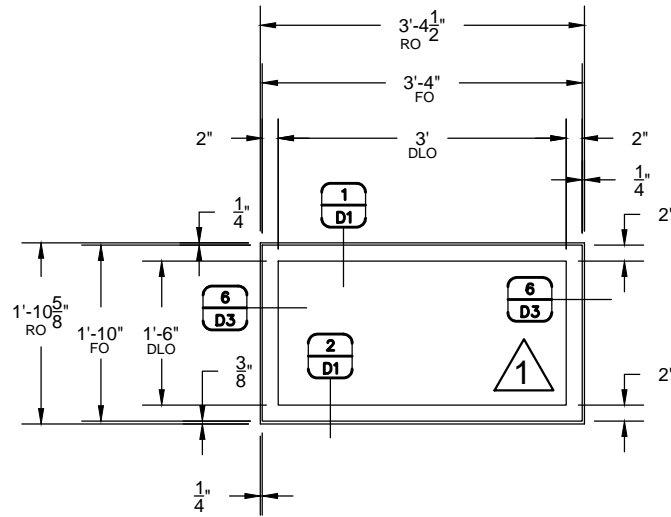


ELEVATION

SCALE: 1/2" = 1'-0"
 QUANTITY: 2
 ARCH. REF.: A2.2
 A3.0



DOOR #(s): N/A
 SYSTEM (s): KAWNEER VG 451 FRAMING

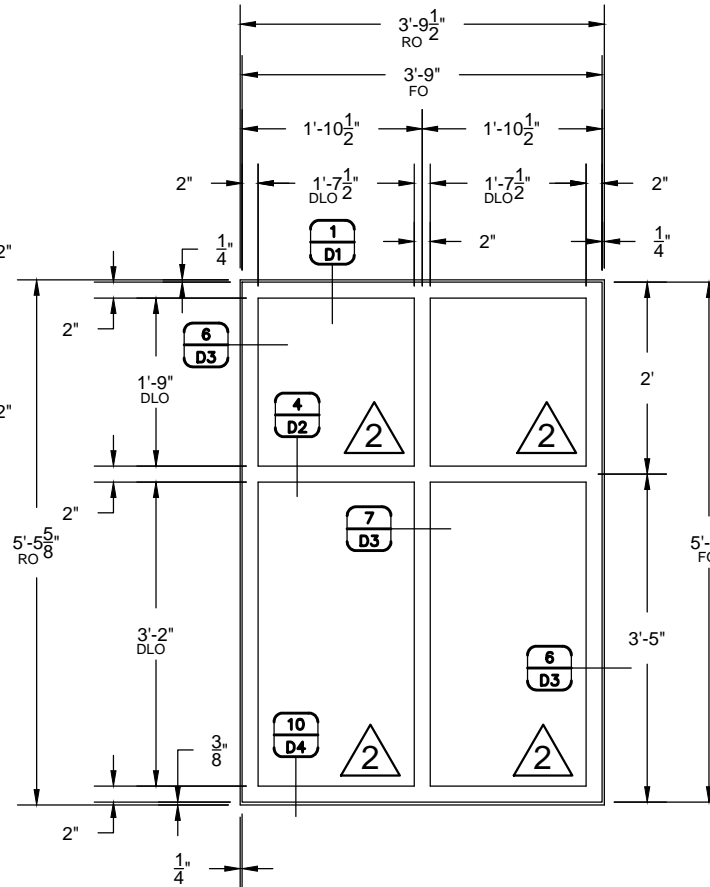


ELEVATION

SCALE: 1/2" = 1'-0"
 QUANTITY: 2
 ARCH. REF.: A2.2
 A3.0



DOOR #(s): N/A
 SYSTEM (s): KAWNEER VG 451 FRAMING

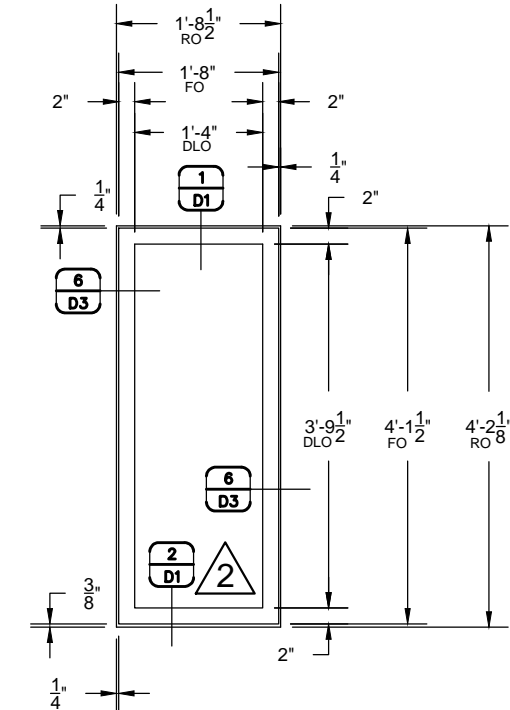


ELEVATION

SCALE: 1/2" = 1'-0"
 QUANTITY: 4
 ARCH. REF.: A2.0
 A3.0



DOOR #(s): N/A
 SYSTEM (s): KAWNEER VG 451 FRAMING



ELEVATION

SCALE: 1/2" = 1'-0"
 QUANTITY: 2
 ARCH. REF.: A2.2
 A3.0



DOOR #(s): All Door Numbers
 SYSTEM (s): KAWNEER VG 451 FRAMING

NO.	DATE	DESCRIPTION
1	08/06/18	First Submittal

MITCHELL GLASS CO.

405 W. CONSTITUTION VICTORIA, TX 77902
 W (361) 573-4337 F (361) 573-1797

**HOLY CROSS CATHOLIC CHURCH
 ACTIVITY CENTER RENOVATIONS**

ARCHITECT
CUTRIGHT & ALLEN, INC.
 (979) 866-8888
 GENERAL CONTRACTOR
ROTH CONSTRUCTION, INC.
 361-578-1271

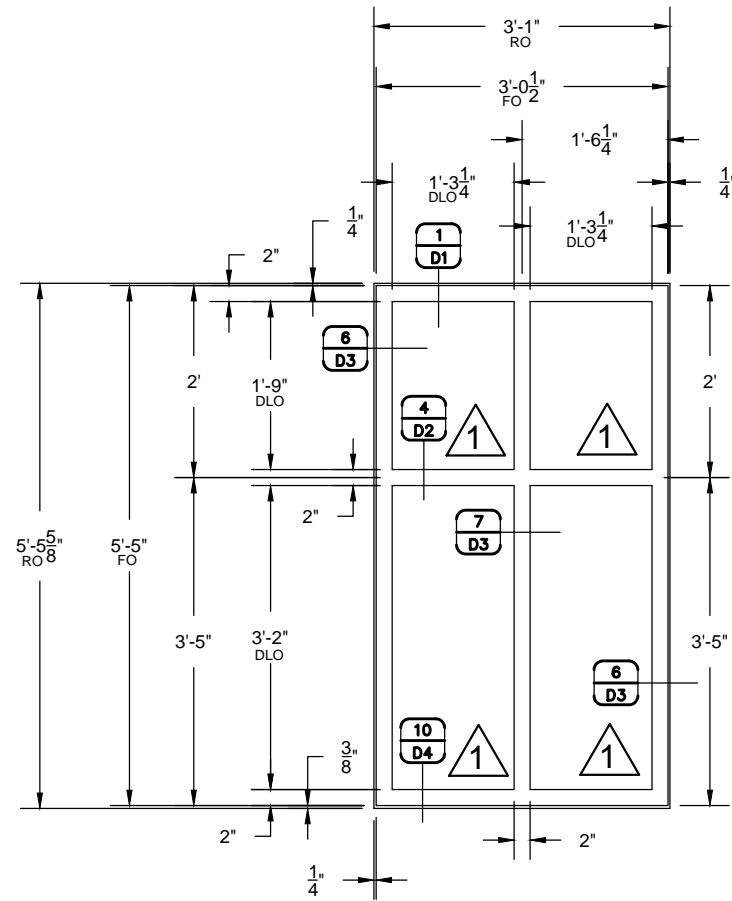
PROJECT NO.
MG-1807-03

DRAWN BY DATE
fp 08/06/18

SCALE
 1/2" = 1'-0"

DRAWING
ELEVATIONS

SHEET
E4

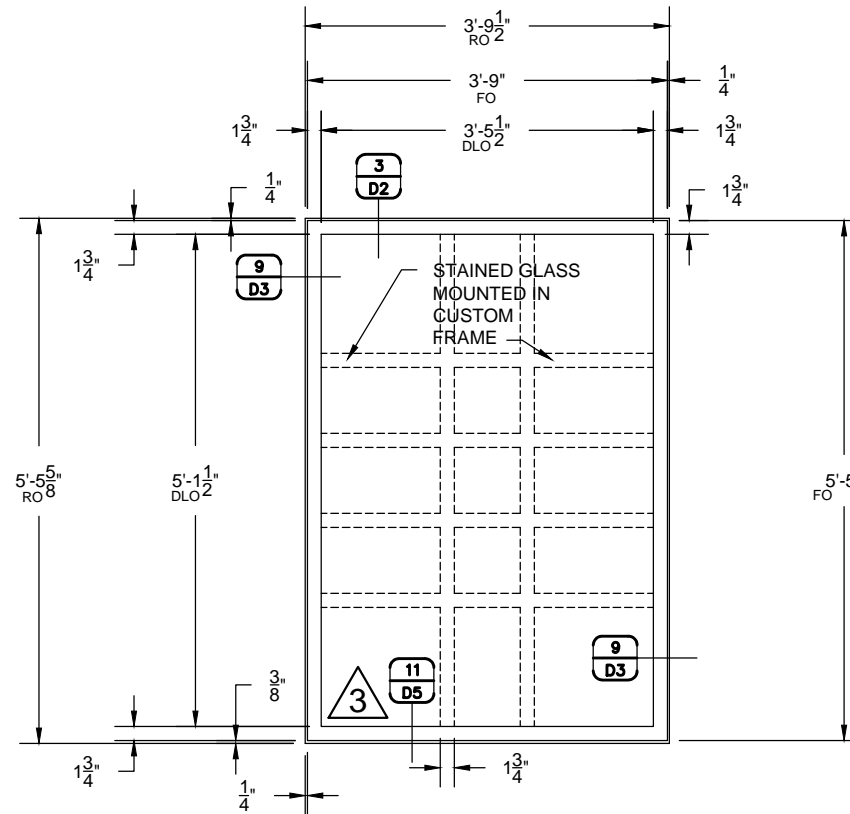


ELEVATION

SCALE: 1/2" = 1'-0"
 QUANTITY: 1
 ARCH. REF.: A2.0
 A3.0



DOOR #(s): N/A
 SYSTEM (s): KAWNEER VG 451 FRAMING

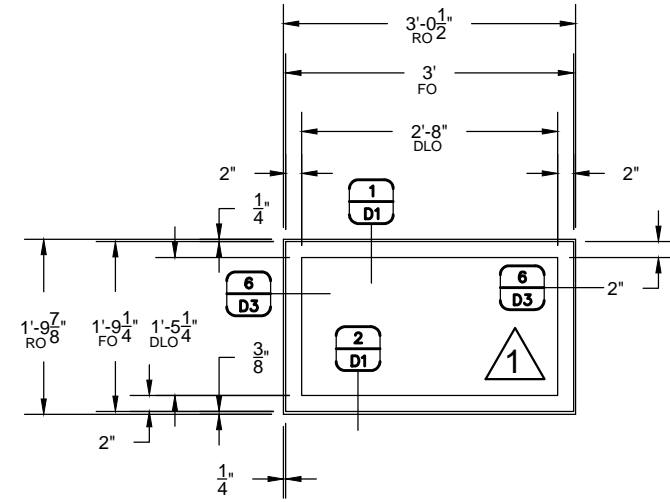


ELEVATION

SCALE: 1/2" = 1'-0"
 QUANTITY: 3
 ARCH. REF.: A2.0
 A3.0



DOOR #(s): N/A
 SYSTEM (s): CUSTOMIZED KAWNEER VG 450 FRAMING



ELEVATION

SCALE: 1/2" = 1'-0"
 QUANTITY: 2
 ARCH. REF.: A2.0
 A3.0
 AX.3



DOOR #(s): N/A
 SYSTEM (s): KAWNEER VG 451 FRAMING

NO.	DATE	DESCRIPTION
1	08/06/18	First Submittal

MITCHELL GLASS CO.
 405 W. CONSTITUTION VICTORIA, TX 77902
 W (361) 573-4337 F (361) 573-1797

PROJECT: HOLY CROSS CATHOLIC CHURCH
ACTIVITY CENTER RENOVATIONS
 ARCHITECT: CUTRIGHT & ALLEN, INC.
 (979) 868-8888
 GENERAL CONTRACTOR: ROTH CONSTRUCTION, INC.
 361-578-1271

PROJECT NO.	MG-1807-03
DRAWN BY	fp
DATE	08/06/18
SCALE	1/2" = 1'-0"
DRAWING	ELEVATIONS
SHEET	E5

NO.	DATE	DESCRIPTION
1	08/06/18	First Submittal

MITCHELL GLASS CO.
 405 W. CONSTITUTION VICTORIA, TX 77902
 W (361) 573-4337 F (361) 573-1797

PROJECT: HOLY CROSS CATHOLIC CHURCH
ACTIVITY CENTER RENOVATIONS
 ARCHITECT: CUTRIGHT & ALLEN, INC.
 (979) 866-8888
 GENERAL CONTRACTOR: ROTH CONSTRUCTION, INC.
 361-578-1271

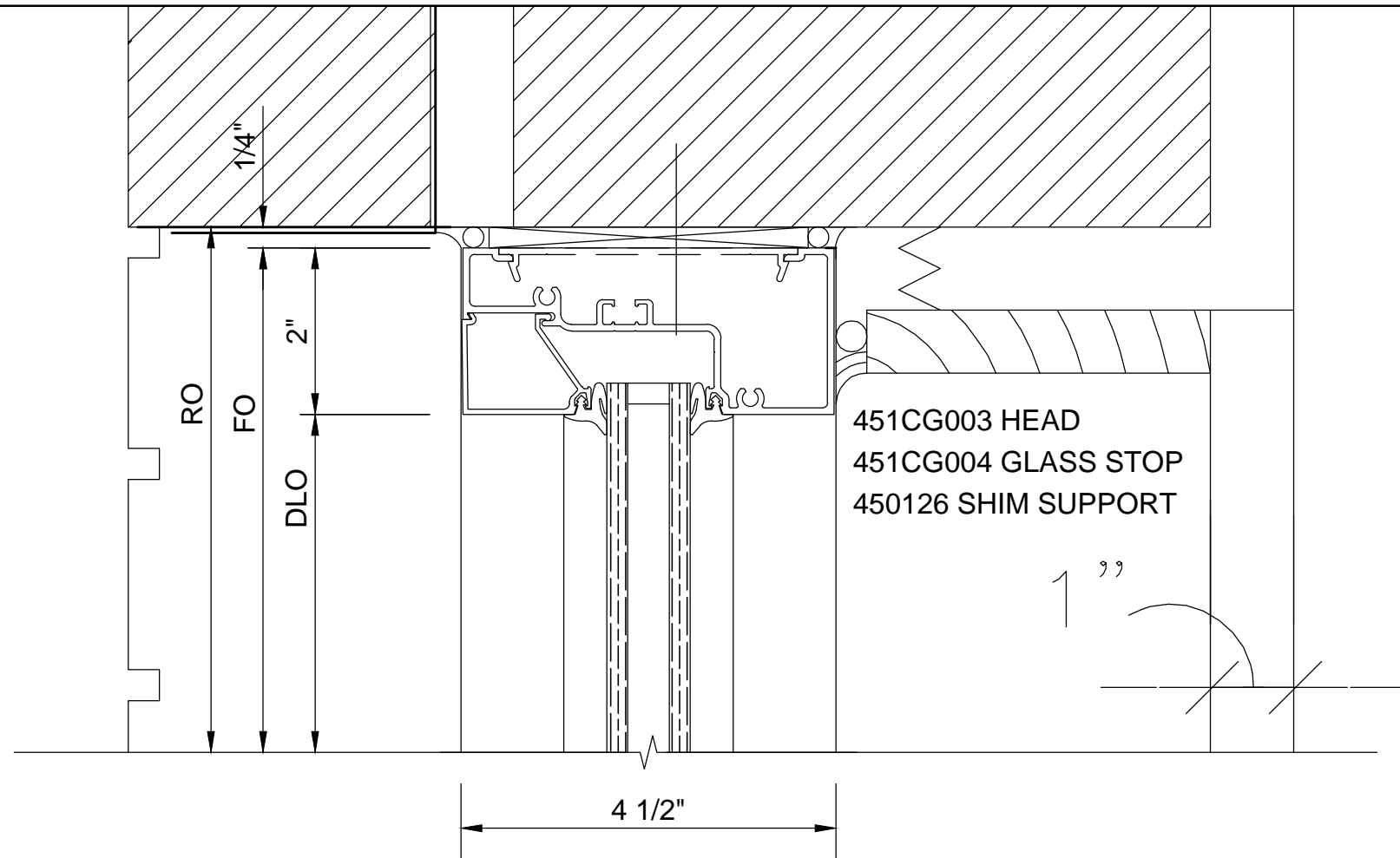
PROJECT NO.	MG-1807-03
DRAWN BY	fp
DATE	08/06/18
SCALE	6" = 1'-0"
DRAWING	DETAILS
SHEET	D1

DETAIL

SCALE: 6" = 1'-0"
 ARCH. REF.: A1.1

1

DETAIL TYPE: WINDOW HEAD
 SYSTEM TYPE:
 KAWNEER VG 451 FRAMING



DETAIL

SCALE: 6" = 1'-0"
 ARCH. REF.: A1.1

2

DETAIL TYPE: WINDOW SILL
 SYSTEM TYPE:
 KAWNEER VG 451 FRAMING

